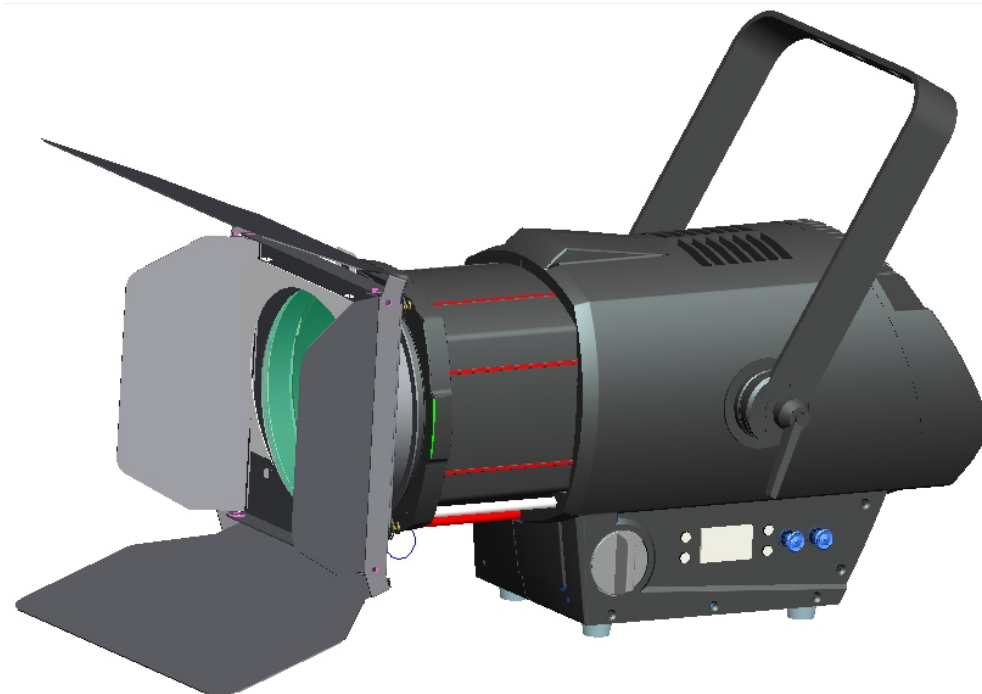


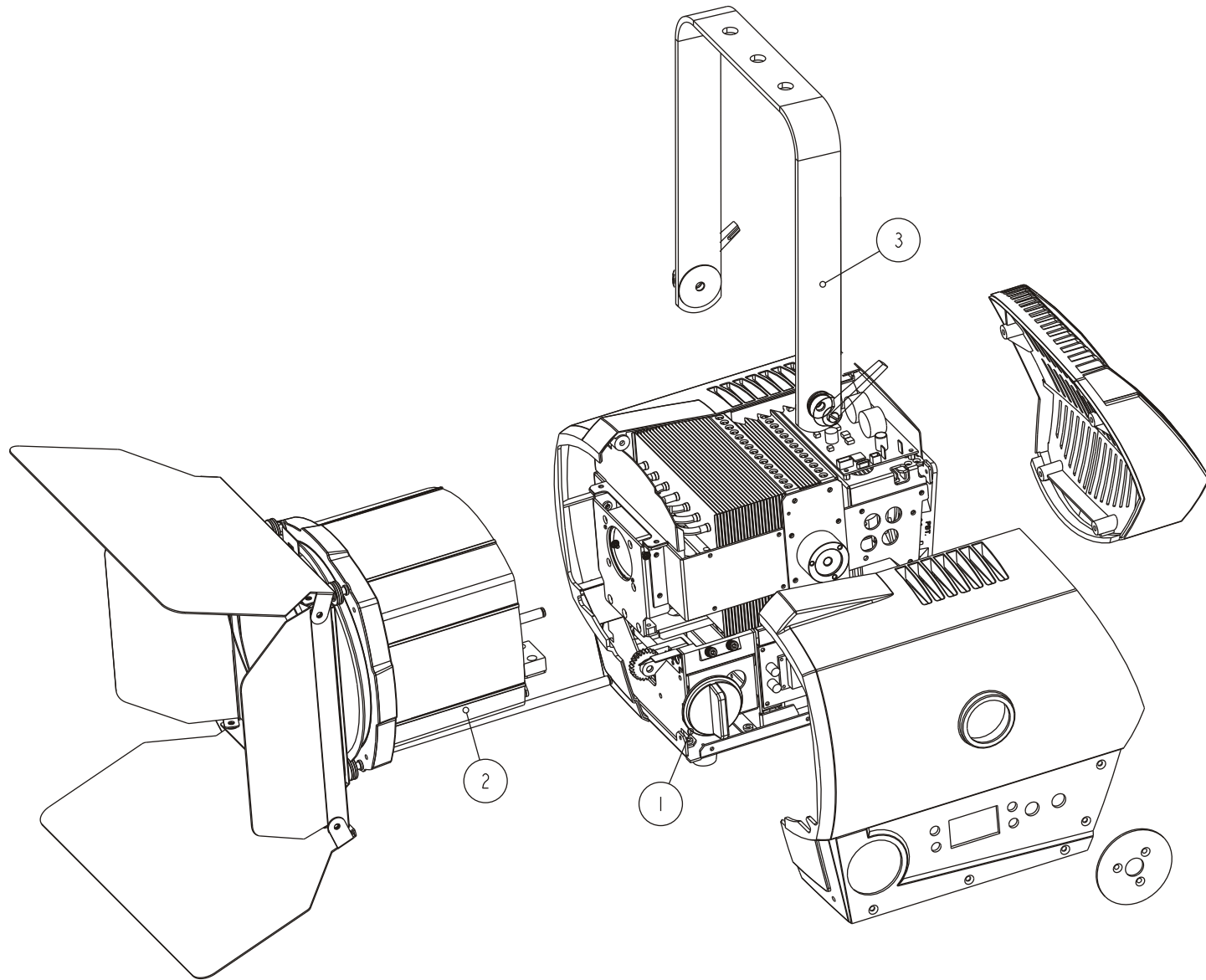
# Service manual

## DW FRESNEL

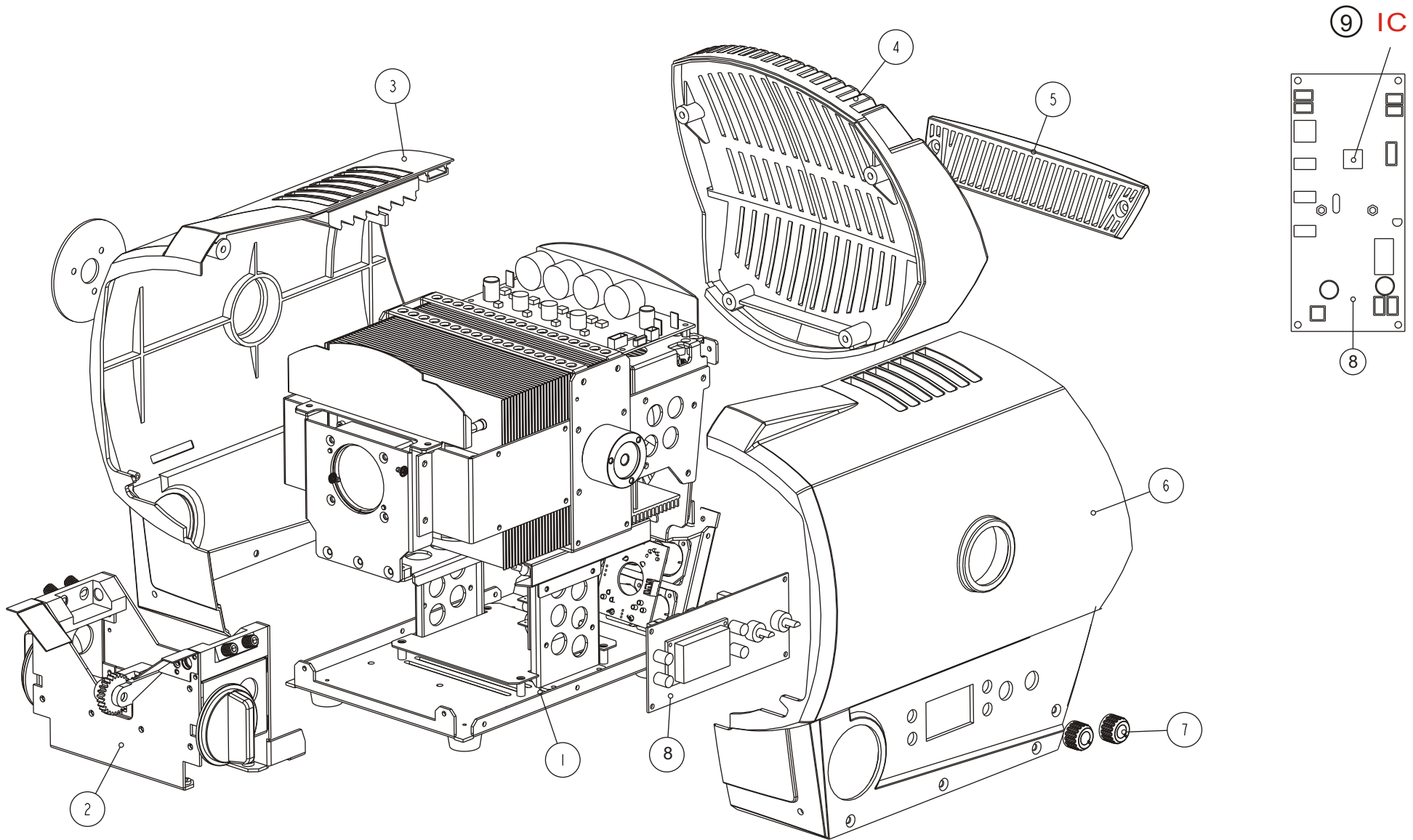
- ✘ Exploded Diagrams
- ✘ Circuit Diagrams
- ✘ Wiring Diagrams
- ✘ Parts List



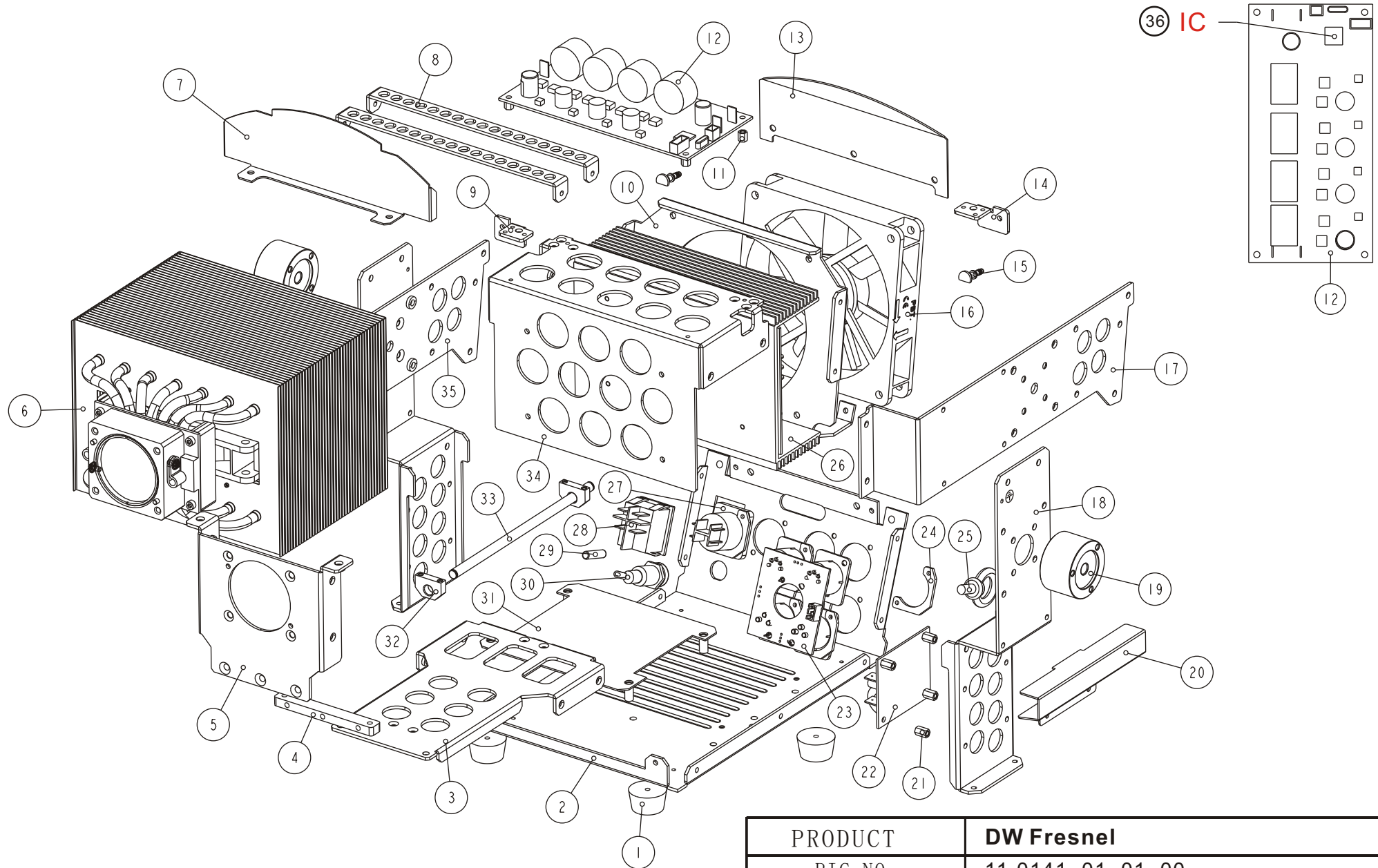
<b>PRODUCT</b>		<b>DW Fresnel</b>			
<b>PIC. NO.</b>		<b>Front Page</b>	<b>Series No.</b>	/	
EDIT		<b>FILE NO.</b>	HY-EXP-1352A		
CHECK		<b>ORDER NO.</b>	/		
APPROVE		<b>VERSION</b>	NR.1	<b>SOFTWARE VER.</b>	V1.1.0



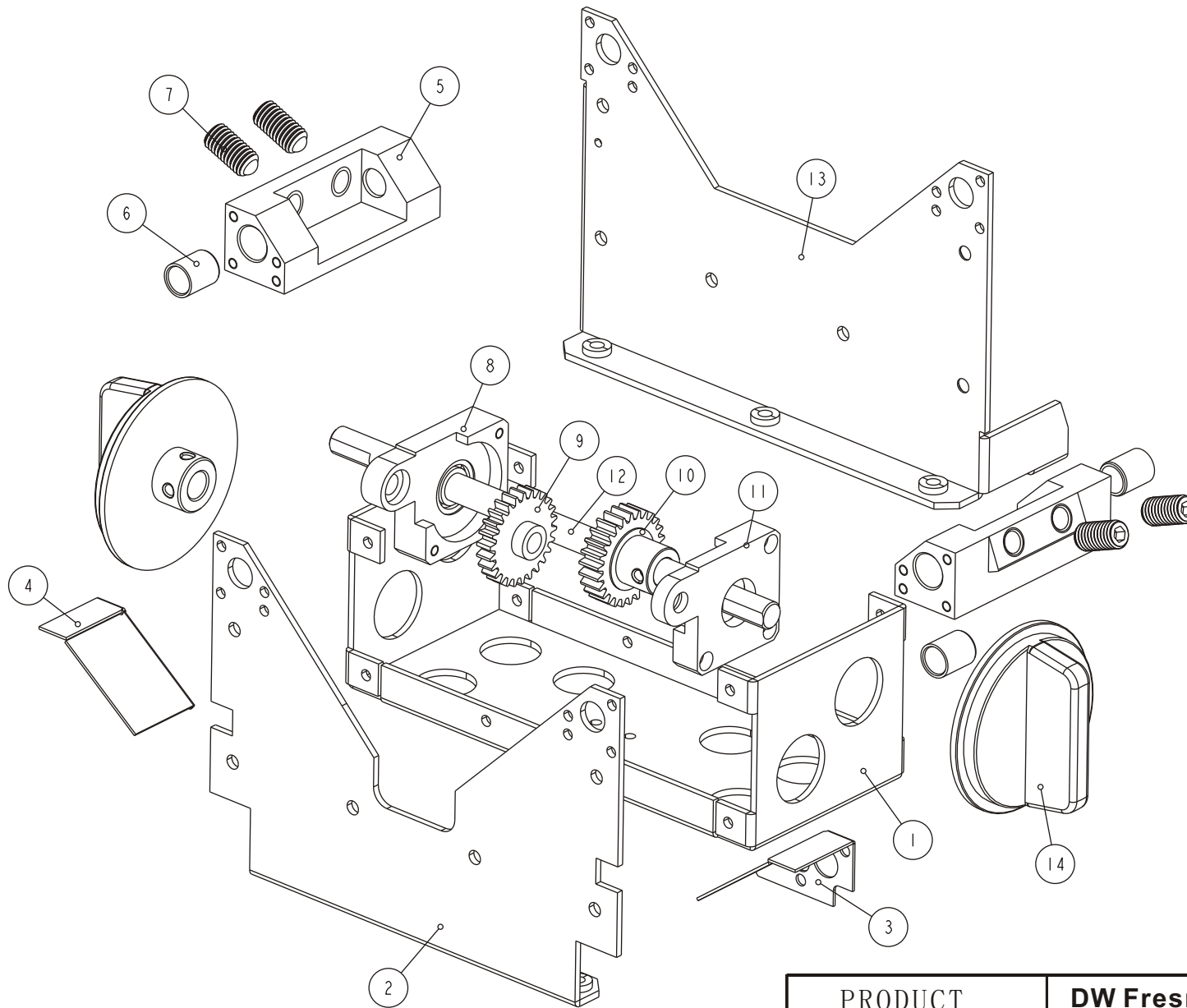
PRODUCT		<b>DW Fresnel</b>			
PIC. NO.		11-0141-00-00-00			
EDIT		FILE NO.	HY-EXP-1352A	PAGE NO.	1/10
CHECK		VERSION	NR.1	DATE	2014.11.10
APPROVE		ECN NO.		DATE	



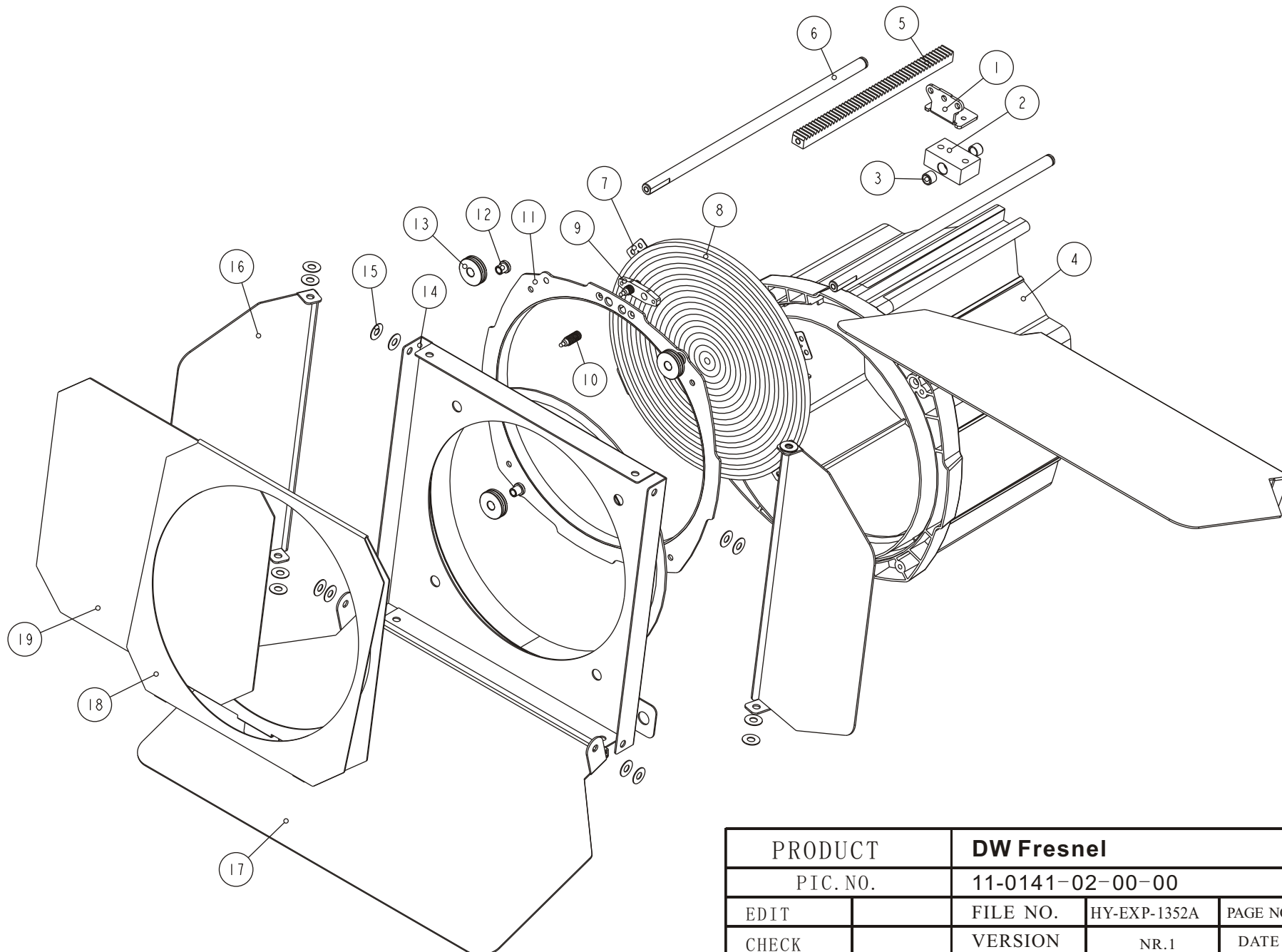
PRODUCT		<b>DW Fresnel</b>			
PIC. NO.		11-0141-01-00-00			
EDIT		FILE NO.	HY-EXP-1352A	PAGE NO.	2/10
CHECK		VERSION	NR.1	DATE	2014.11.10
APPROVE		ECN NO.		DATE	



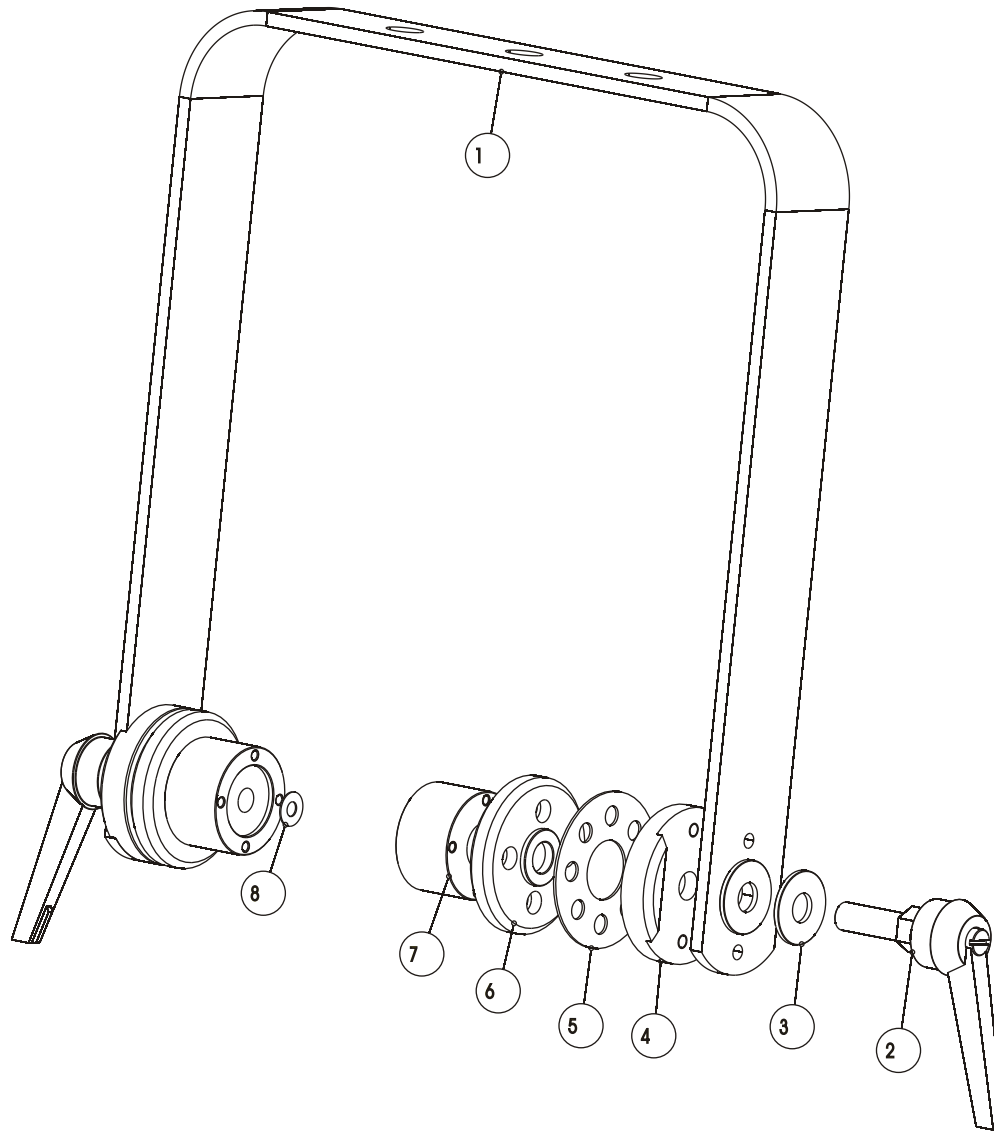
PRODUCT		<b>DW Fresnel</b>			
PIC. NO.		11-0141-01-01-00			
EDIT		FILE NO.	HY-EXP-1352A	PAGE NO.	3/10
CHECK		VERSION	NR.1	DATE	2014.11.10
APPROVE		ECN NO.		DATE	



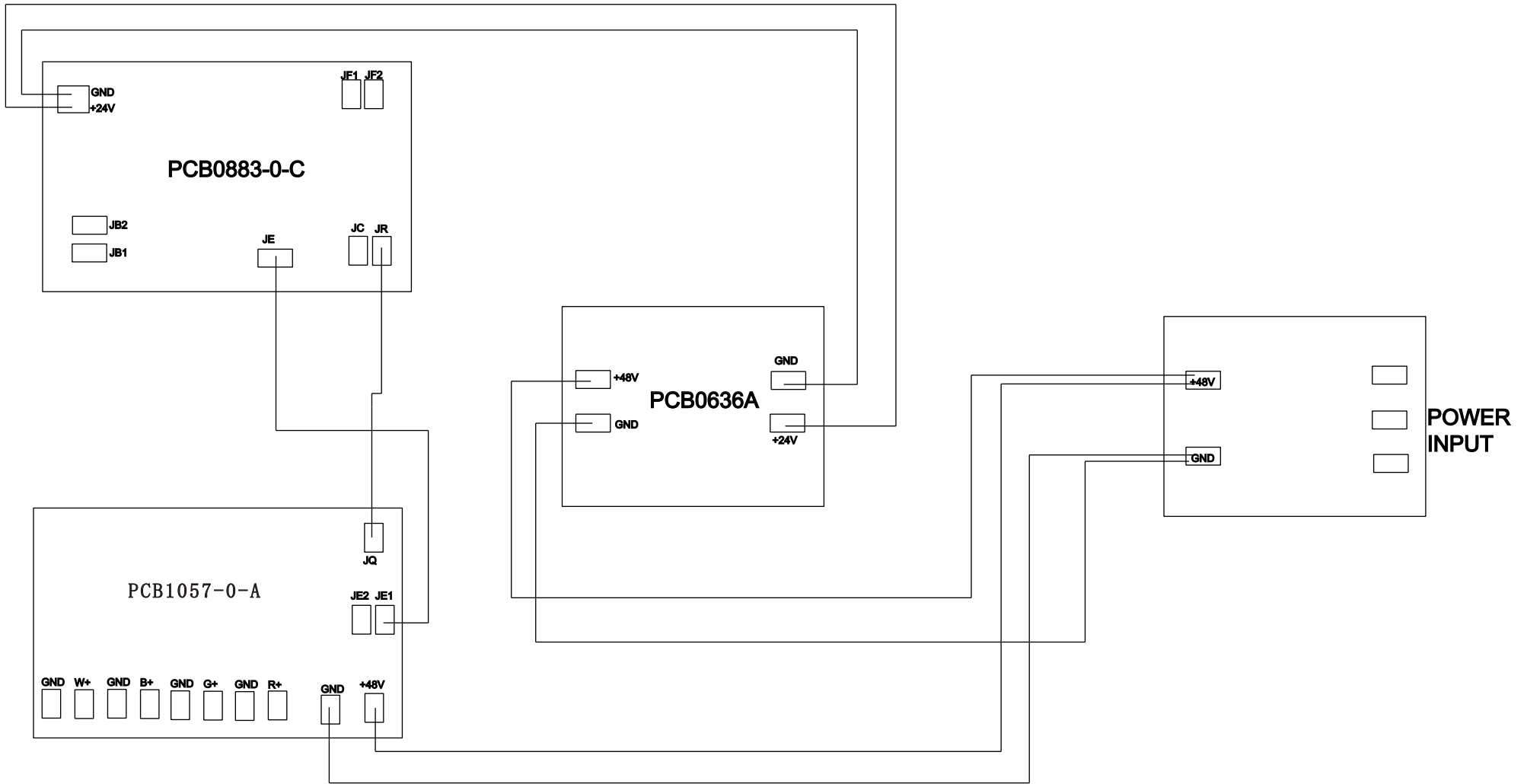
PRODUCT		<b>DW Fresnel</b>			
PIC. NO.		11-0141-01-02-00			
EDIT		FILE NO.	HY-EXP-1352A	PAGE NO.	4/10
CHECK		VERSION	NR.1	DATE	2014.11.10
APPROVE		ECN NO.		DATE	



PRODUCT		DW Fresnel			
PIC. NO.		11-0141-02-00-00			
EDIT		FILE NO.	HY-EXP-1352A	PAGE NO.	5/10
CHECK		VERSION	NR.1	DATE	2014.11.10
APPROVE		ECN NO.		DATE	

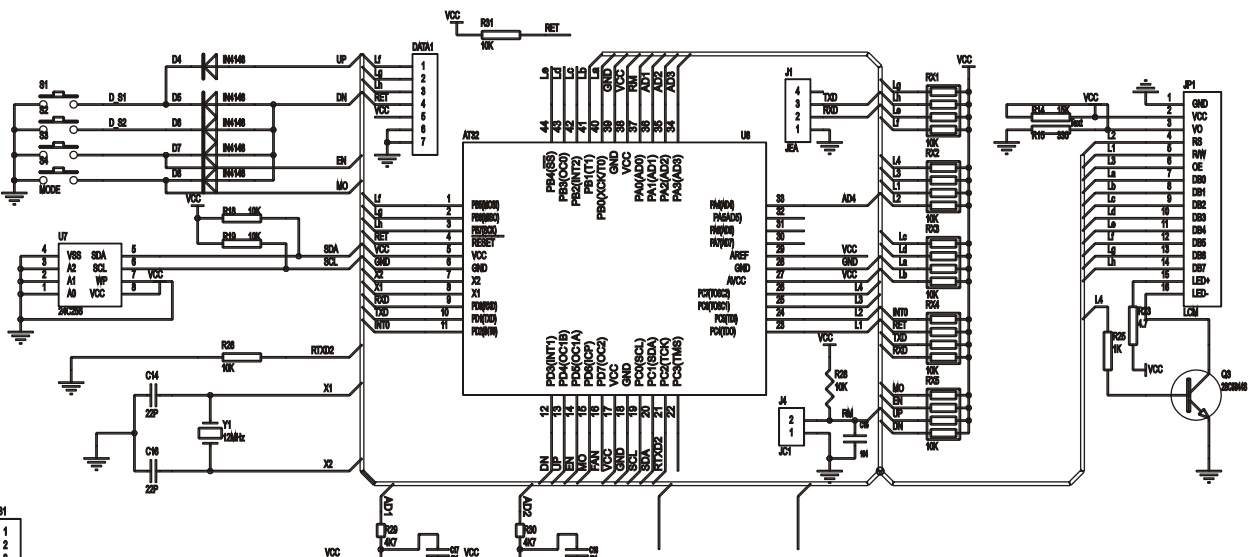
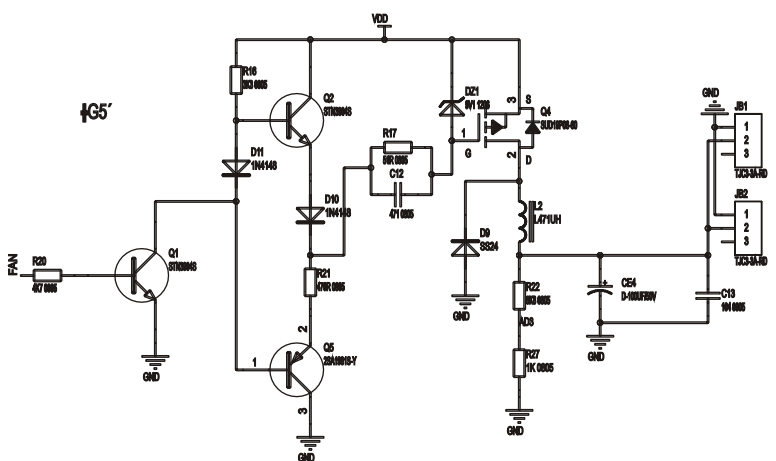
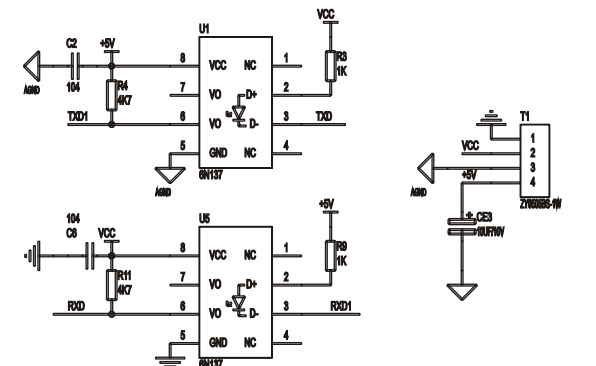
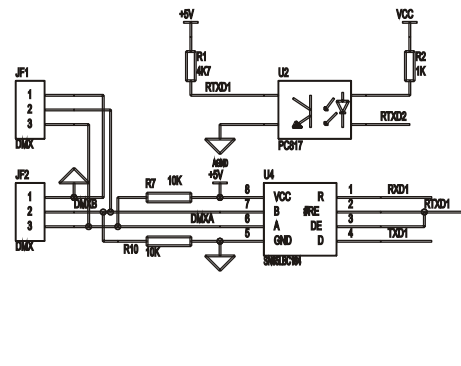
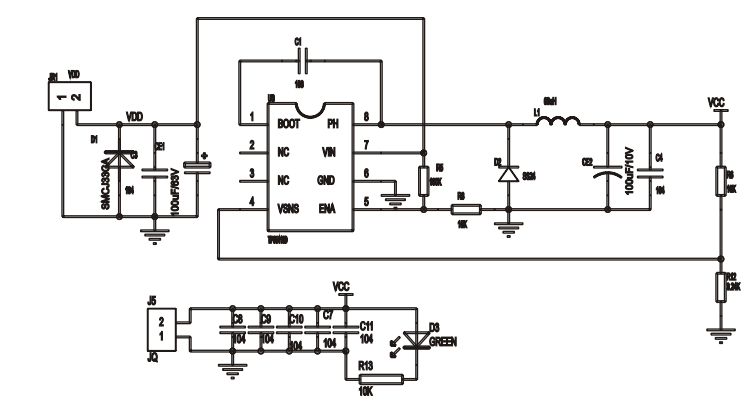


PRODUCT		DW Fresnel			
PIC. NO.		11-0141-03-00-00			
EDIT		FILE NO.	HY-EXP-1352A	PAGE NO.	6/10
CHECK		VERSION	NR.1	DATE	2014.11.10
APPROVE		ECN NO.		DATE	

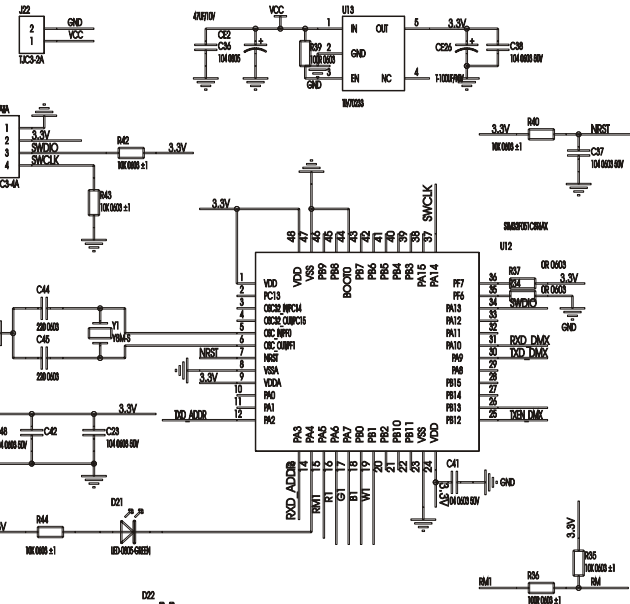
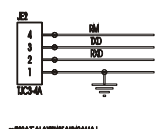
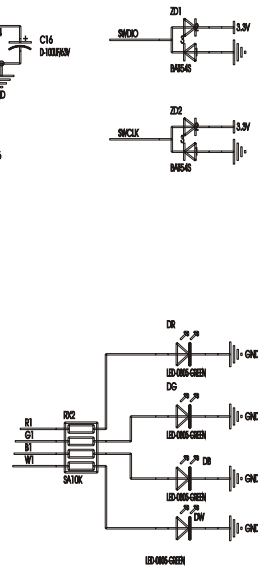
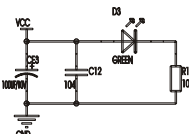
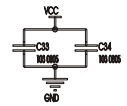
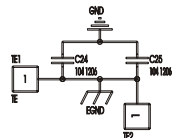
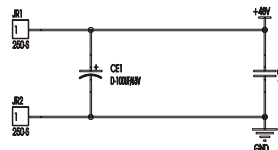
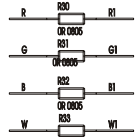
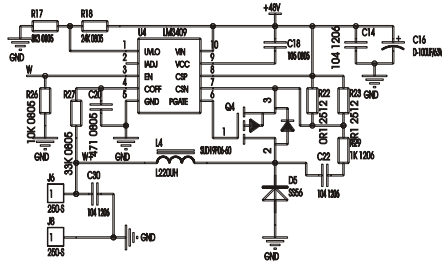
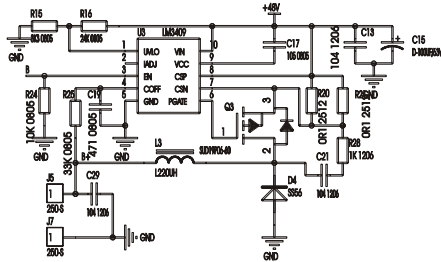
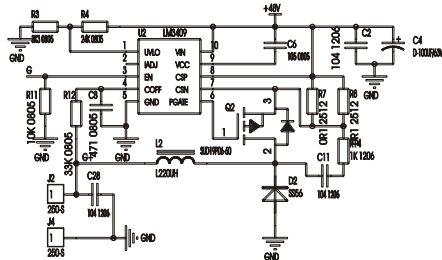
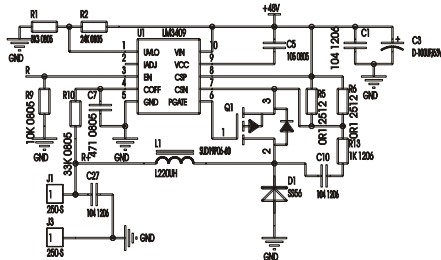


PRODUCT		DW Fresnel			
PIC. NO.		F250 ELECTRIC			
EDIT		FILE NO.	HY-EXP-1318A	PAGE NO.	7/10
CHECK		VERSION	NR	DATE	2014.11.10
APPROVE		ECN NO.		DATE	





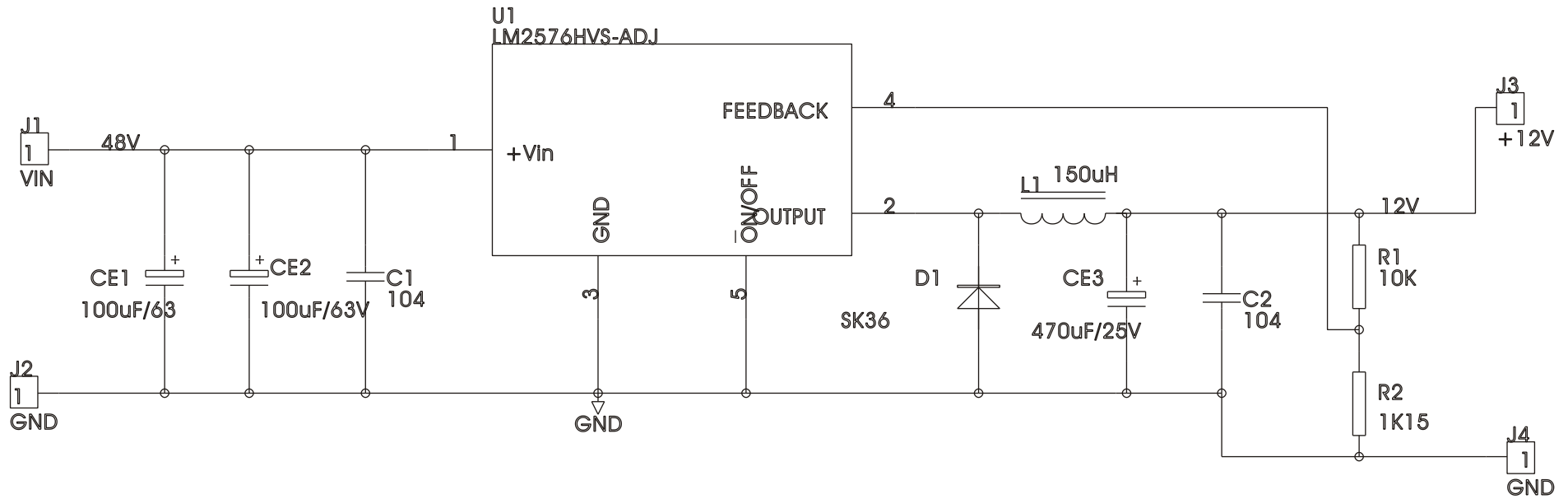
PRODUCT		DW Fresnel			
PIC. NO.		PCB0883-0-C SCHEME			
EDIT		FILE NO.	HY-EXP-1219A	PAGE NO.	8/10
CHECK		VERSION	NR	DATE	2014.11.10
APPROVE		ECN NO.		DATE	



485^Z'45

PRODUCT		DW Fresnel			
PIC. NO.		PCB1057-0-A SCHEME			
EDIT		FILE NO.	HY-EXP-1307A	PAGE NO.	9/10
CHECK		VERSION	NR	DATE	2014.11.10
APPROVE		ECN NO.		DATE	

# PCB0636A



PRODUCT		DW Fresnel			
PIC. NO.		PCB0636A SCHEME			
EDIT		FILE NO.	HY-EXP-0812	PAGE NO.	10/10
CHECK		VERSION	NR	DATE	2014.11.10
APPROVE		ECN NO.		DATE	